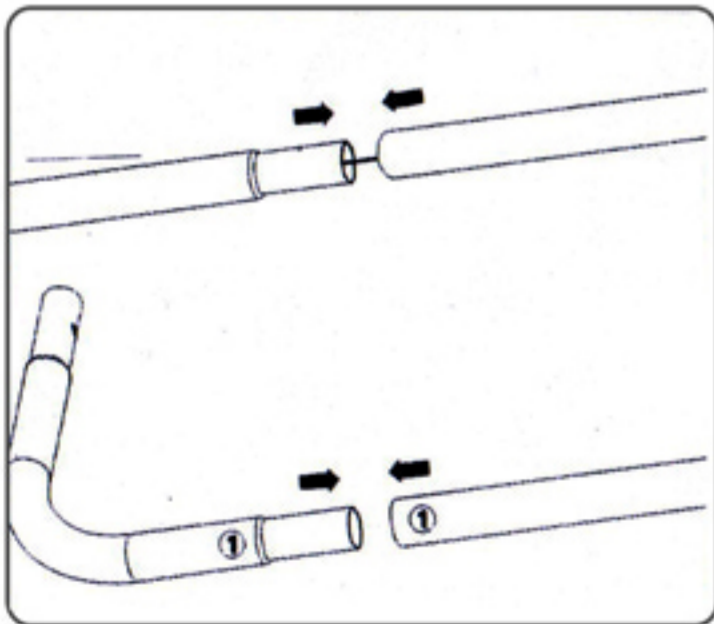
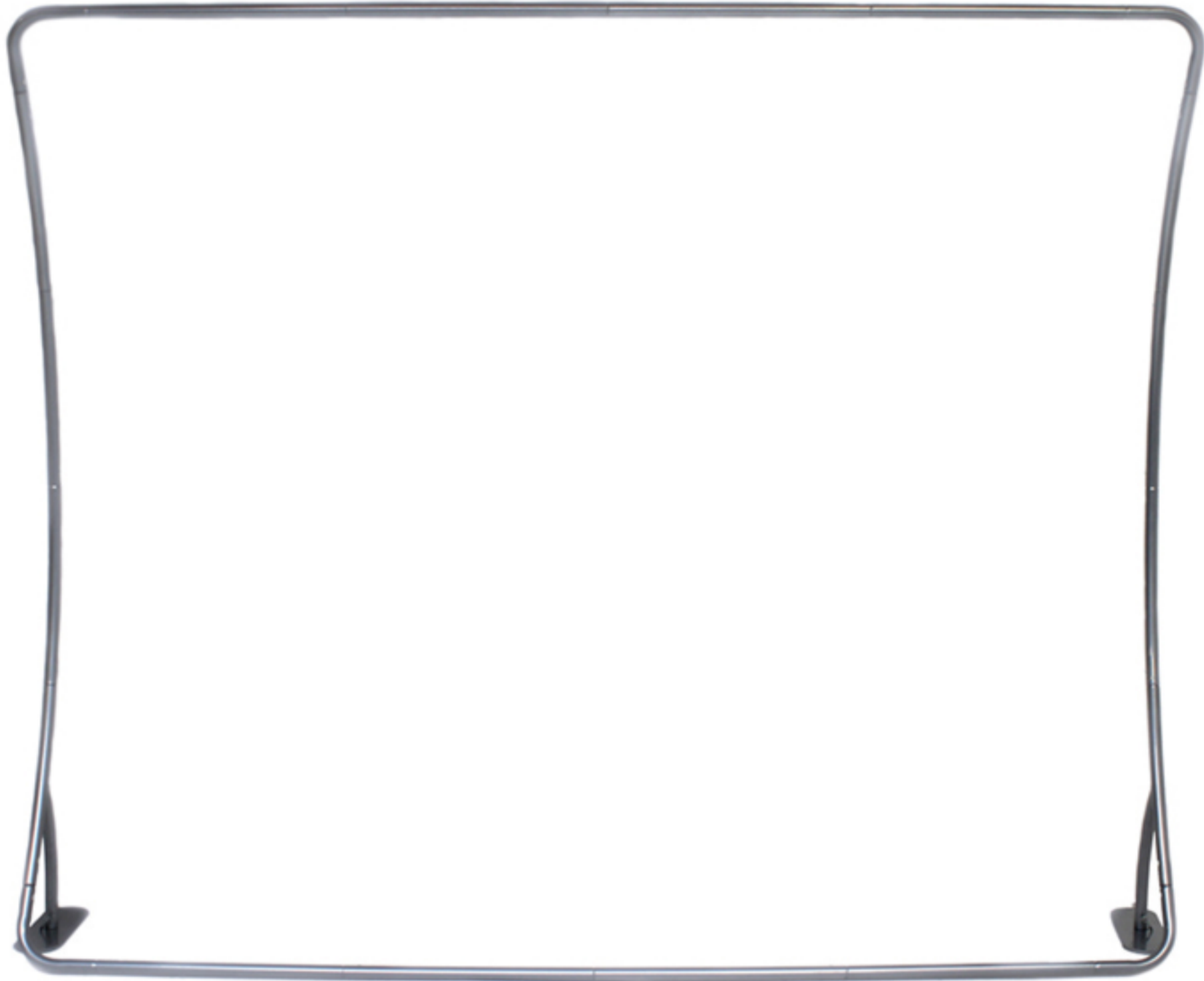
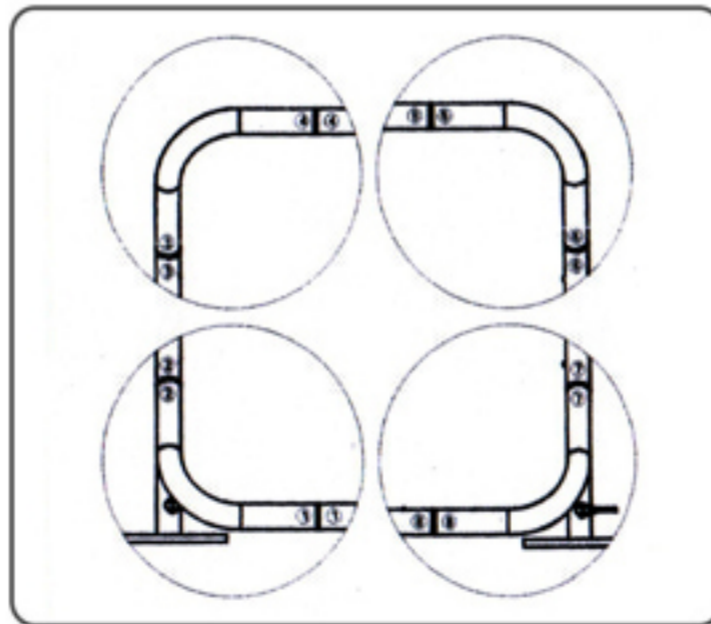


# INSTALLATION STEPS

**Modern appearance, stable quality, practicability & multiformity**  
**Package and spotlight are available as accessories**



**Step1:**  
Remove tubular frame from the case and connect.



**Step2:**  
Tubular frame has numbers to specify the connecting points.



**Step3:**  
Slip on graphic beginning from the top to the bottom. Zip the graphic material at the bottom of tubular frame.



**CAUTION:**  
**PLEASE READ THE INSTRUCTIONS BEFORE INSTALLING PRODUCTS**