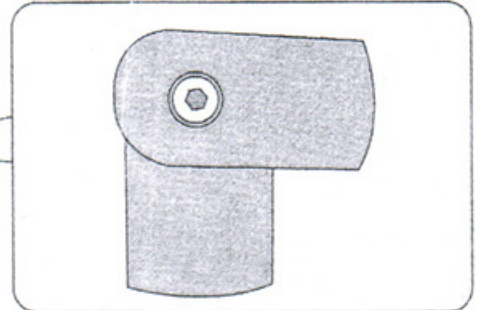
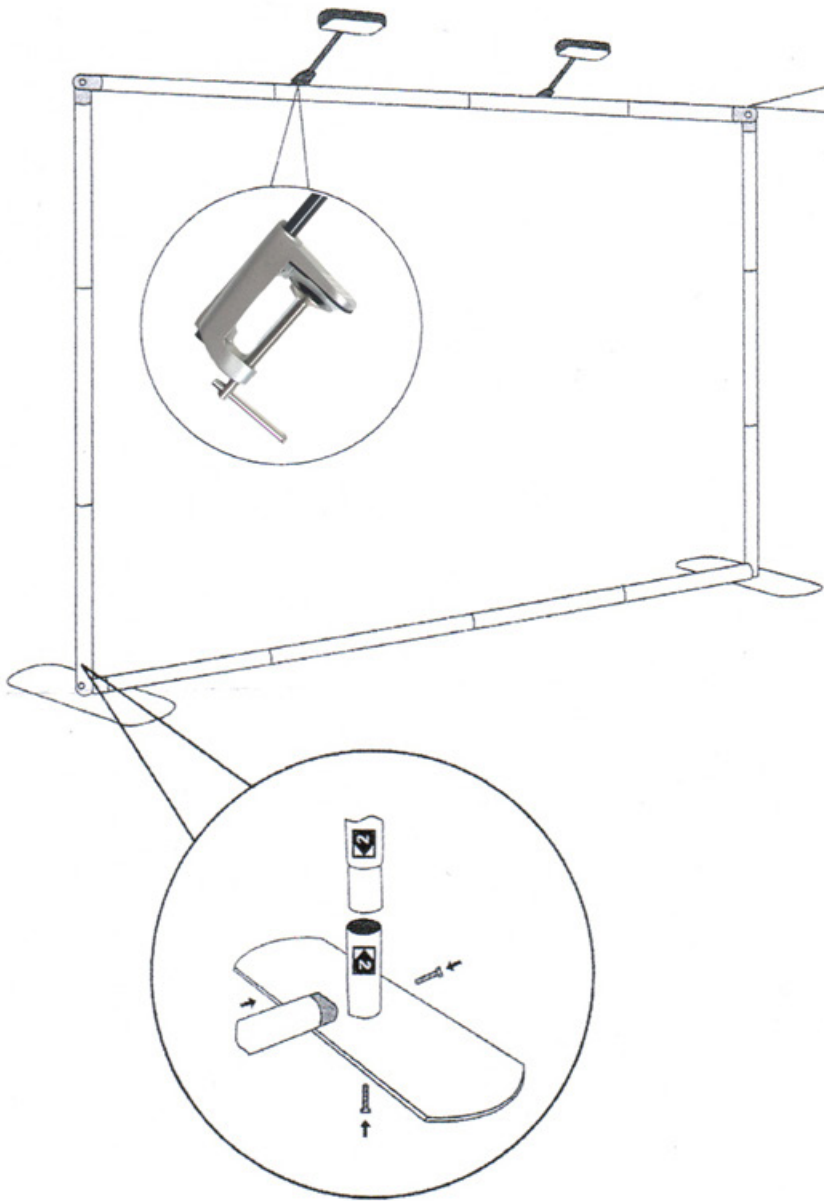


INSTALLATION STEPS

Modern appearance, stable quality, practicability & multiformity
Package and spotlight are available as accessories

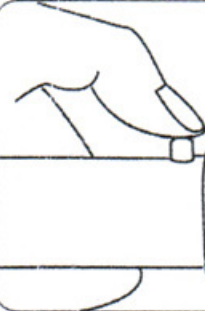


Tighten the screws using the inner hexagon spanner

CONNECT



PRESS

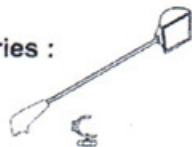


If can't snap when dismantle the frame, Pls push the tube forwardly, then push again.

GRAPHIC



Optional accessories :



EZ Tube LED Light



CAUTION:
PLEASE READ THE INSTRUCTIONS BEFORE INSTALLING PRODUCTS